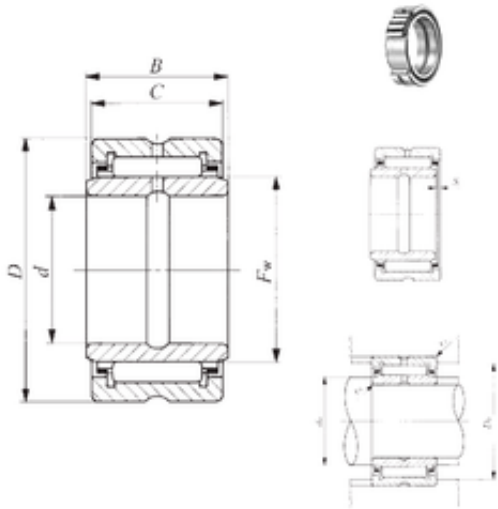




NTN Bearing Manufacturing



31.75 mm x 52,388 mm x 25,65 mm IKO BRI 203316 needle roller bearings

Bearing No. BRI 203316

Size	31.75x52.388x25.65 mm
Bore Diameter	31.75 mm
Outer Diameter	52,388 mm
Width	25,65 mm
d	31.75 mm
Fw	38,1 mm
D	52,388 mm
B	25,65 mm
C	25,4 mm
da min.	37 mm
da max	37,1 mm
Da max.	45,1 mm
ra max.	1,5 mm
S	0,5 mm
Weight	0,22 Kg
Basic dynamic load rating (C)	43,7 kN
Basic static load rating (C0)	66,9 kN

BRI 203316 Bearing 2D drawings and 3D CAD models