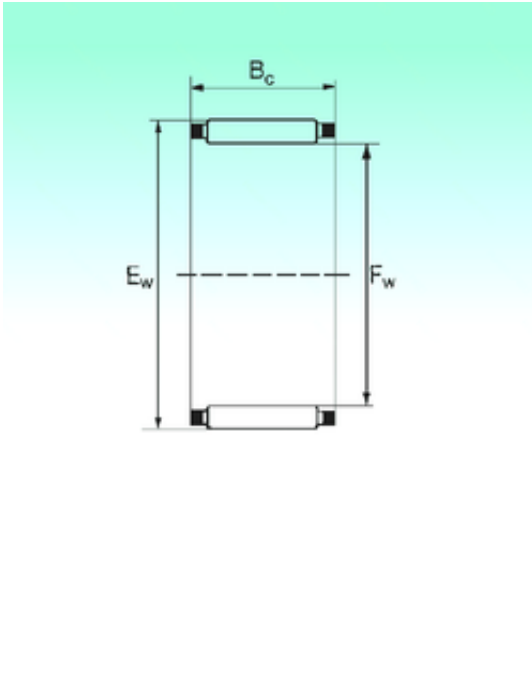




NTN Bearing Manufacturing



NBS K 16x20x13 needle roller bearings

Bearing No. K 16x20x13

Bore Diameter	16 mm
Outer Diameter	20 mm
Fw	16 mm
Ew	20 mm
Bc	13 mm
Weight	0,0071 Kg
Basic dynamic load rating (C)	8,7 kN
Basic static load rating (C0)	11,3 kN

K 16x20x13 Bearing 2D drawings and 3D CAD models