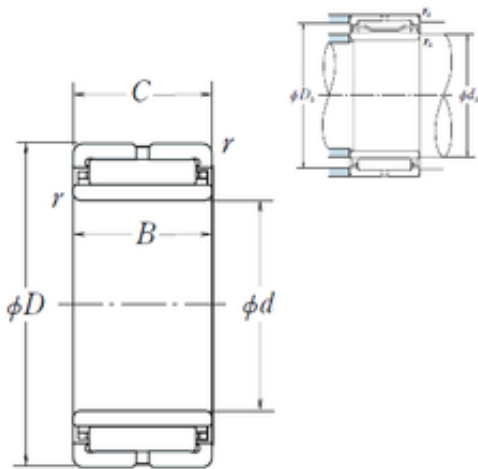




NTN Bearing Manufacturing

32 mm x 52 mm x 36 mm NSK NA69/32 needle roller bearings



Bearing No. NA69/32

NA69/32 Bearing 2D drawings and 3D CAD models

Size	32x52x36 mm
Bore Diameter	32 mm
Outer Diameter	52 mm
Width	36 mm
d	32 mm
Fw	40 mm
D	52 mm
B	36 mm
C	36 mm
r min.	0,6 mm
da min.	36 mm
Da max.	48 mm
ra max.	0,6 mm
Weight	0,29 Kg
Basic dynamic load rating (C)	56 kN
Basic static load rating (C0)	101 kN
(Grease) Lubrication Speed	6700 r/min
hidYobi	NA69/32
LangID	1
D_	52
B_	36
hidTable	ecat_NS MRNR
GRS rpm	6700
ra	0.6
da_min	36



NTN Bearing Manufacturing

d2	32
C0	101
C1_	36
DE_	48
SLR	29.8
Prod_Type3	NRB_S_NA
DA_	4
Z_	22
SI	40
yobi	NA69/32
da_max	48
OIL rpm	10000
SDM_	44
r	0.6
KBRG	8351
mass2	0.29
B1	36