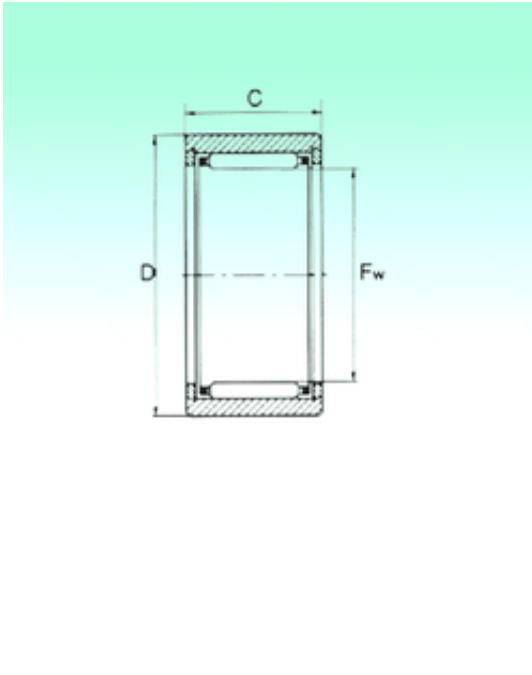




NTN Bearing Manufacturing



NK 5/12 TN Bearing 2D drawings and 3D CAD models

NBS NK 5/12 TN needle roller bearings

Bearing No. NK 5/12 TN

Size	5x10x12 mm
Bore Diameter	5 mm
Outer Diameter	10 mm
Width	12 mm
Fw	5 mm
D	10 mm
C	12 mm
Weight	0,0037 Kg
Basic dynamic load rating (C)	2,85 kN
Basic static load rating (C0)	2,52 kN