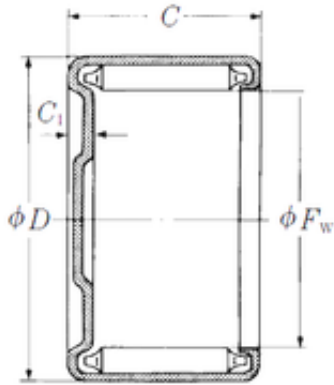




NTN Bearing Manufacturing

NSK MJH-8121 needle roller bearings



Bearing No. MJH-8121

Size	12.7x19.05x19.05 mm
Bore Diameter	12,7 mm
Outer Diameter	19,05 mm
Width	19,05 mm
Fw	12,7 mm
D	19,05 mm
C	19,05 mm
C2	1 mm
Weight	0,017 Kg
Basic dynamic load rating (C)	12,4 kN

MJH-8121 Bearing 2D drawings and 3D CAD models