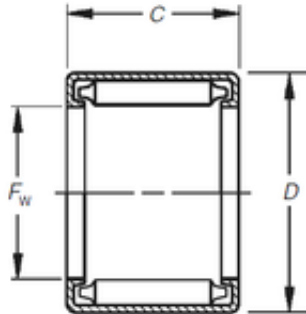




NTN Bearing Manufacturing

Timken B-107 needle roller bearings



Bearing No. B-107

Size	15.875x20.638x11.13 mm
Bore Diameter	15,875 mm
Outer Diameter	20,638 mm
Width	11,13 mm
Fw	15,875 mm
D	20,638 mm
C	11,13 mm
Weight	0,009 Kg
Basic dynamic load rating (C)	9,39 kN
Basic static load rating (C0)	16,2 kN
(Grease) Lubrication Speed	3000 r/min

B-107 Bearing 2D drawings and 3D CAD models