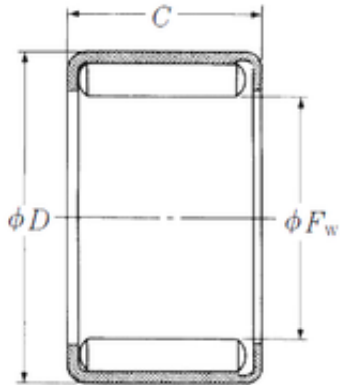




NTN Bearing Manufacturing

NSK Y-68 needle roller bearings



Bearing No. Y-68

Size	9.525x14.288x12.7 mm
Bore Diameter	9,525 mm
Outer Diameter	14,288 mm
Width	12,7 mm
Fw	9,525 mm
D	14,288 mm
C	12,7 mm
Weight	0,0073 Kg
Basic dynamic load rating (C)	8,75 kN

Y-68 Bearing 2D drawings and 3D CAD models