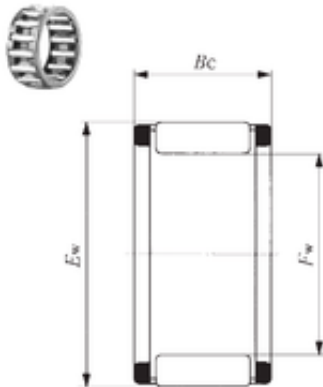




NTN Bearing Manufacturing

IKO KT 303818 EG needle roller bearings



Bearing No. KT 303818 EG

Bore Diameter	30 mm
Outer Diameter	38 mm
Fw	30 mm
Ew	38 mm
Bc	18 mm
Weight	0,0355 Kg
Basic dynamic load rating (C)	24,9 kN

KT 303818 EG Bearing 2D drawings and 3D CAD models