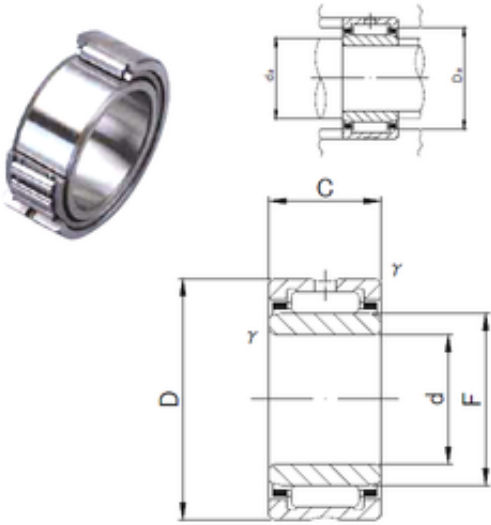




NTN Bearing Manufacturing



9 mm x 19 mm x 16 mm JNS NKI 9/16 needle roller bearings

Bearing No. NKI 9/16

Size	9x19x16 mm
Bore Diameter	9 mm
Outer Diameter	19 mm
Width	16 mm
d	9 mm
F	12 mm
D	19 mm
B	16 mm
C	16 mm
r min.	0,3 mm
da min.	11 mm
da max	11,5 mm
Da max.	17 mm
Weight	0,0225 Kg
Basic dynamic load rating (C)	9,2 kN
Basic static load rating (C0)	11,2 kN

NKI 9/16 Bearing 2D drawings and 3D CAD models