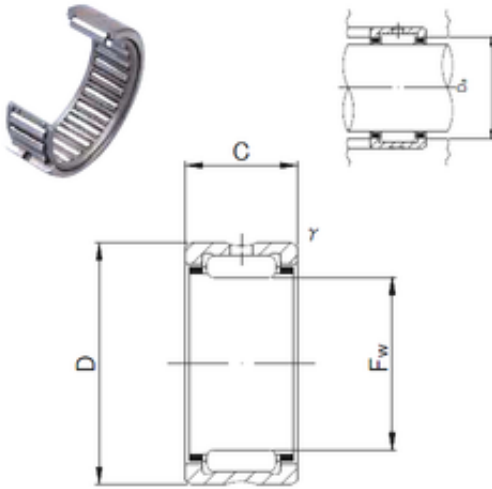




NTN Bearing Manufacturing



JNS RNA498M needle roller bearings

Bearing No. RNA498M

Size	10x19x11 mm
Bore Diameter	10 mm
Outer Diameter	19 mm
Width	11 mm
Fw	10 mm
D	19 mm
C	11 mm
r min.	0,2 mm
Da max.	17,4 mm
Weight	0,0126 Kg
Basic dynamic load rating (C)	5,7 kN
Basic static load rating (C0)	4,6 kN
Limiting speed	28 000 r/min

RNA498M Bearing 2D drawings and 3D CAD models