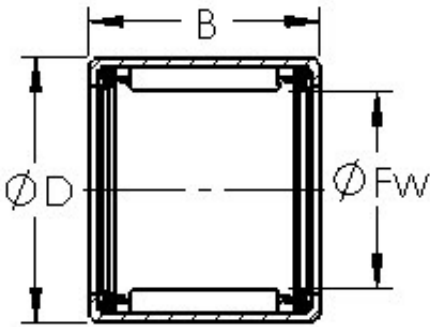




NTN Bearing Manufacturing



AST SCE148PP needle roller bearings

Bearing No. SCE148PP

Bore Diameter	22,225 mm
Outer Diameter	28,575 mm
Width	12,7 mm
Bearing Type	Cage Retained Rollers, Two Seals
Outer Dia (D)	1.1250
Width (B)	0.5000
Dynamic Load Rating (Cr)	1,850
Static Load Rating (Cor)	2,400
Max Speed (Grease) (X1000 RPM)	9,000
Shaft (Fw)	0.875
Weight (g)	16.00
Material - Drawn cup: Hardened carbon steel alloy, Rollers	52100 Chrome steel or equivalent

SCE148PP Bearing 2D drawings and 3D CAD models