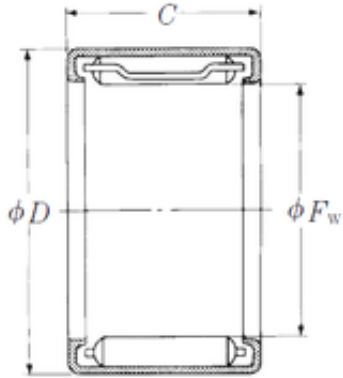




NTN Bearing Manufacturing

NSK FJL-4025L needle roller bearings



Bearing No. FJL-4025L

Size	40x50x25 mm
Bore Diameter	40 mm
Outer Diameter	50 mm
Width	25 mm
Fw	40 mm
D	50 mm
C	25 mm
Weight	0,084 Kg
Basic dynamic load rating (C)	39 kN

FJL-4025L Bearing 2D drawings and 3D CAD models