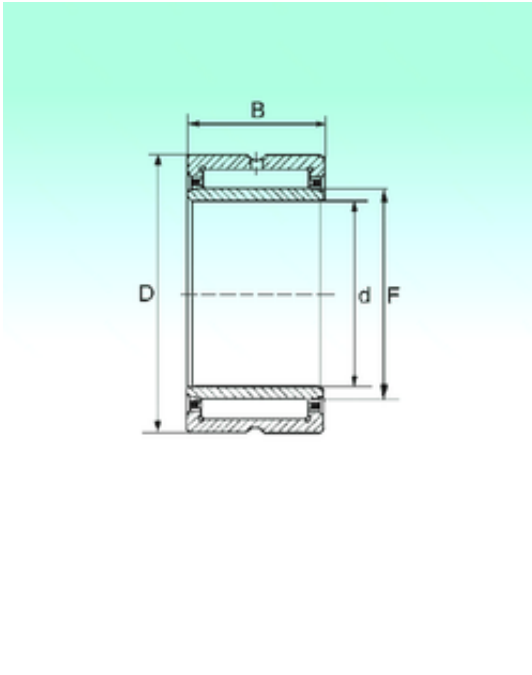




# NTN Bearing Manufacturing



NKIS 20 Bearing 2D drawings and 3D CAD models

## NBS NKIS 20 needle roller bearings

Bearing No. NKIS 20

Size	20x42x20 mm
Bore Diameter	20 mm
Outer Diameter	42 mm
Width	20 mm
d	20 mm
Fw	28 mm
D	42 mm
C	20 mm
Weight	0,119 Kg
Basic dynamic load rating (C)	26,5 kN
Basic static load rating (C0)	35,5 kN