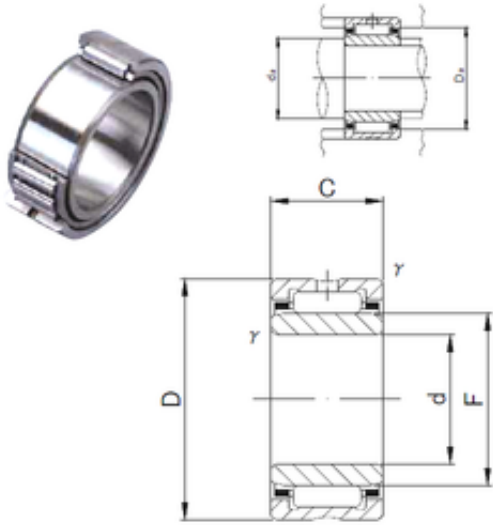




# NTN Bearing Manufacturing



32 mm x 52 mm x 36 mm JNS NA 69/32 needle roller bearings

Bearing No. NA 69/32

Size	32x52x36 mm
Bore Diameter	32 mm
Outer Diameter	52 mm
Width	36 mm
d	32 mm
F	40 mm
D	52 mm
B	36 mm
C	36 mm
r min.	0,6 mm
da min.	36 mm
da max	39 mm
Da max.	48 mm
Weight	0,295 Kg
Basic dynamic load rating (C)	53,5 kN
Basic static load rating (C0)	95,7 kN

NA 69/32 Bearing 2D drawings and 3D CAD models