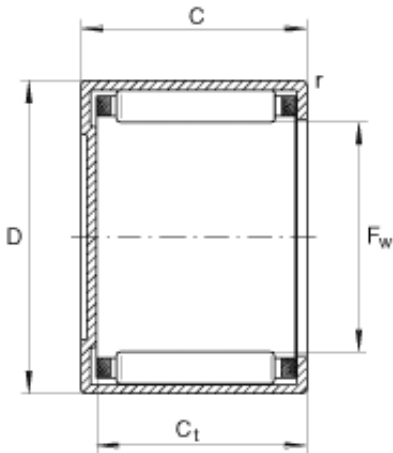




# NTN Bearing Manufacturing



BK0808 Bearing 2D drawings and 3D CAD models

## INA BK0808 needle roller bearings

Bearing No. BK0808

Size	8x12x8 mm
Bore Diameter	8 mm
Outer Diameter	12 mm
Width	8 mm
$F_w$	8 mm
D	12 mm
C - 8 mm / Tolerance: -0,3	8 mm / Tolerance: 0,3
$C_{t\min}$	6,4 mm
$r_{\min}$	0,4 mm
m	3 g / Weight
$C_r$	2750 N / Dynamic load rating (radial)
$C_{0r}$	2600 N / Static load rating (radial)
$C_{ur}$	290 N / Fatigue limit load, radial
$n_G$	29500 1/min / Limiting speed
$n_B$	21800 1/min / Reference speed
Category	Needle Non Thrust Roller Bearings
Inventory	0.0
Manufacturer Name	SCHAEFFLER GROUP
Minimum Buy Quantity	N/A
Weight / Kilogram	0.007
EAN	4012802453560
Product Group	B04144



## NTN Bearing Manufacturing

Rolling Element	Needle Roller Bearing
Component	Roller Assembly with Outer Ring - No Inner Ring
Enclosure	Open
Self Aligning	No
Retainer	Yes
Number of Rows of Rollers	Single Row
Separable	No
Closed End	Yes
Inch - Metric	Metric
Relubricatable	No
Thrust Bearing	No
Long Description	8MM Bore; 12MM Outside Diameter; 8MM Width; Needle Roller Bearing; Roller Assembly with Outer Ring - No Inner Ring; Open Enclosure; No Self Aligning; Retainer; Single Row of Rollers; No Separable; Clo
Other Features	1 Rib Outer Ring   Drawn Cup Bearing   Steel Cage
Category	Needle Non Thrust Roller Bearing
UNSPSC	31171512
Harmonized Tariff Code	8482.40.00.00
Noun	Bearing
Keyword String	Needle
Manufacturer URL	<a href="http://www.ina.com">http://www.ina.com</a>
Manufacturer Item Number	BK0808
Weight / LBS	0.006
Width	0.315 Inch   8 Millimeter
Bore	0.315 Inch   8 Millimeter
Outside Diameter	0.472 Inch   12 Millimeter