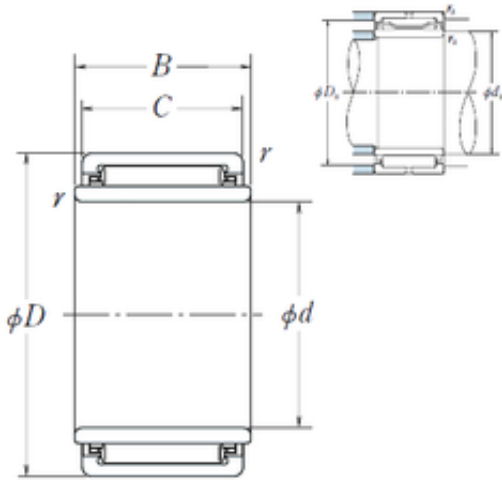




NTN Bearing Manufacturing

10 mm x 22 mm x 20,2 mm NSK LM1420
needle roller bearings

Bearing No. LM1420



LM1420 Bearing 2D drawings and 3D CAD models

Size	10x22x20.2 mm
Bore Diameter	10 mm
Outer Diameter	22 mm
Width	20,2 mm
d	10 mm
Fw	14 mm
D	22 mm
B	20,2 mm
C	20 mm
r min.	0,3 mm
da min.	12 mm
Da max.	20 mm
ra max.	0,3 mm
Weight	0,036 Kg
Basic dynamic load rating (C)	15,5 kN
Basic static load rating (C0)	17,5 kN
(Grease) Lubrication Speed	15000 r/min
hidYobi	LM1420
LangID	1
D_	22
B_	20.2
hidTable	ecat_NSMRNR
GRS rpm	15000
ra	0.3
da_min	12



NTN Bearing Manufacturing

d2	10
C0	17.5
C1_	20
DE_	20
SLR	15.8
Prod_Type3	NRB_S_LM
DA_	3
Z_	11
SI	14
yobi	LM1420
da_max	20
OIL rpm	24000
SDM_	17
r	0.3
KBRG	8352
mass2	0.036
B1	20.2