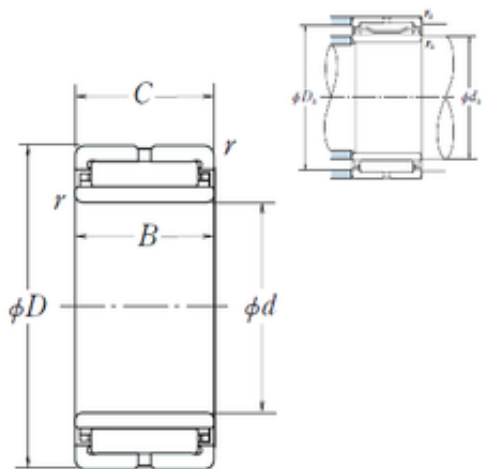




# NTN Bearing Manufacturing

20 mm x 37 mm x 23 mm NSK NA5904 needle roller bearings



Bearing No. NA5904

NA5904 Bearing 2D drawings and 3D CAD models

Size	20x37x23 mm
Bore Diameter	20 mm
Outer Diameter	37 mm
Width	23 mm
d	20 mm
Fw	25 mm
D	37 mm
B	23 mm
C	23 mm
r min.	0,3 mm
da min.	22 mm
Da max.	35 mm
ra max.	0,3 mm
Weight	0,12 Kg
Basic dynamic load rating (C)	27,8 kN
Basic static load rating (C0)	35,5 kN
(Grease) Lubrication Speed	11000 r/min
hidYobi	NA5904
LangID	1
D_	37
B_	23
hidTable	ecat_NS MRNR
GRS rpm	11000
ra	0.3
da_min	22



## NTN Bearing Manufacturing

d2	20
C0	35.5
C1_	23
DE_	33
SLR	17.8
Prod_Type3	NRB_S_NA
DA_	4
Z_	14
SI	25
yobi	NA5904
da_max	35
OIL rpm	18000
SDM_	29
r	0.3
KBRG	8353
mass2	0.12
B1	23