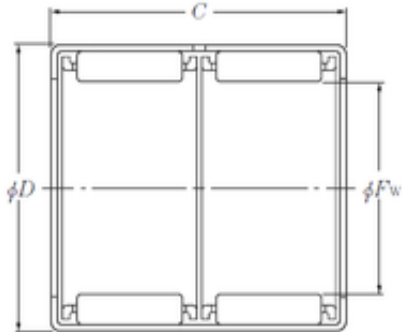




NTN Bearing Manufacturing

NTN HK2030ZWD needle roller bearings



HK2030ZWD Bearing 2D drawings and 3D CAD models

Bearing No. HK2030ZWD

Size	20x26x30 mm
Bore Diameter	20 mm
Outer Diameter	26 mm
Width	30 mm
Fw	20 mm
D	26 mm
C	30 mm
Weight	0.035 Kg
Basic dynamic load rating (C)	22,2 kN
Basic static load rating (C0)	40 kN
(Grease) Lubrication Speed	8 000 r/min
Dw	2 mm
Lw	11.8 mm
Lubrication hole on outer ring	Oui/Yes
k	2.5 mm
Inner ring reference	IR17X20X30.5
Mass	0.04 kg
Cr	22.2 kN
C0r	40 kN
Nlim (grease)	8,000 rpm
Nlim (oil)	12,000 rpm
Min operating temperature, Tmin	-20 ° C
Max operating temperature, Tmax	120 ° C



NTN Bearing Manufacturing

Characteristic cage frequency, FTF	0.46 Hz
Characteristic rolling element frequency, BSF	10.91 Hz
Characteristic outer ring frequency, BPF0	10 Hz
Characteristic inner ring frequency, BRFI	12 Hz
Category	Roller Bearings
Inventory	0.0
Manufacturer Name	NTN
Minimum Buy Quantity	N/A
Weight / Kilogram	0.036
EAN	4547359071795
Product Group	B04144