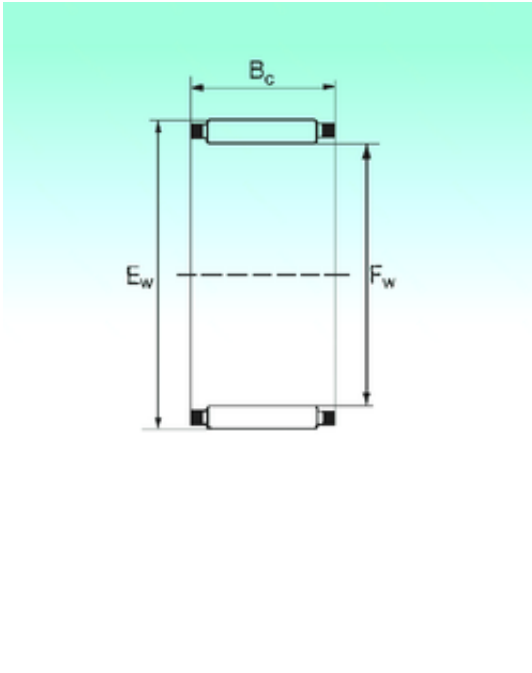




# NTN Bearing Manufacturing



## NBS K 16x22x13 needle roller bearings

Bearing No. K 16x22x13

Bore Diameter	16 mm
Outer Diameter	22 mm
Fw	16 mm
Ew	22 mm
Bc	13 mm
Weight	0,0119 Kg
Basic dynamic load rating (C)	12 kN
Basic static load rating (C0)	13,4 kN

K 16x22x13 Bearing 2D drawings and 3D CAD models