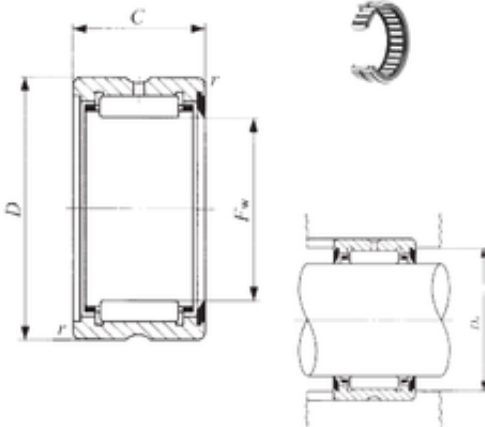




NTN Bearing Manufacturing

IKO BR 405228 U needle roller bearings

Bearing No. BR 405228 U



BR 405228 U Bearing 2D drawings and 3D CAD models

Size	63.5x82.55x44.45 mm
Bore Diameter	63,5 mm
Outer Diameter	82,55 mm
Width	44,45 mm
Fw	63,5 mm
D	82,55 mm
C	44,45 mm
r min.	74,3 mm
Da max.	2 mm
Weight	499 Kg
Basic dynamic load rating (C)	94 600 kN
Basic static load rating (C0)	174 000 kN