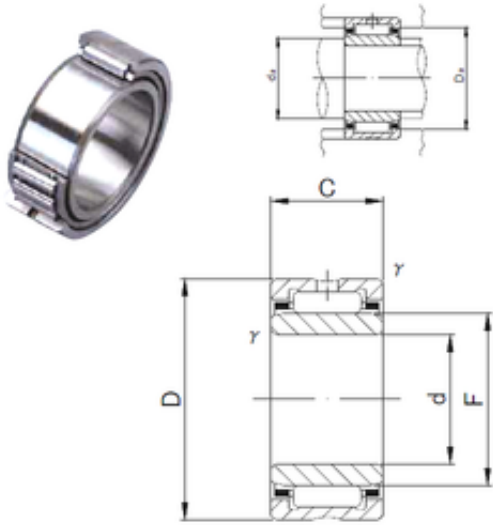




# NTN Bearing Manufacturing



42 mm x 57 mm x 30 mm JNS NKI 42/30 needle roller bearings

Bearing No. NKI 42/30

Size	42x57x30 mm
Bore Diameter	42 mm
Outer Diameter	57 mm
Width	30 mm
d	42 mm
F	47 mm
D	57 mm
B	30 mm
C	30 mm
r min.	0,3 mm
da min.	44 mm
da max	46 mm
Da max.	55 mm
Weight	0,225 Kg
Basic dynamic load rating (C)	45,2 kN
Basic static load rating (C0)	99 kN

NKI 42/30 Bearing 2D drawings and 3D CAD models