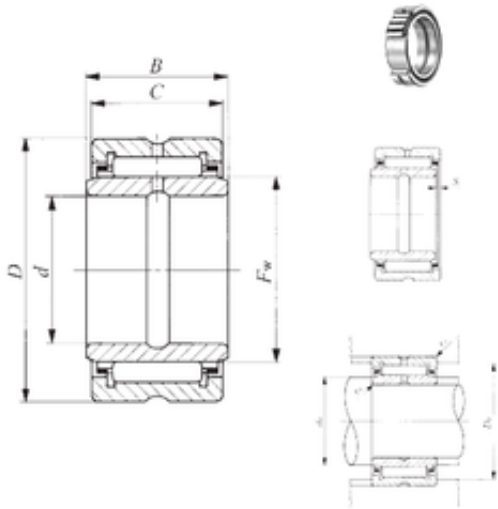




NTN Bearing Manufacturing



63,5 mm x 95,25 mm x 44,7 mm IKO BRI
406028 needle roller bearings

Bearing No. BRI 406028

Size	63.5x95.25x44.7 mm
Bore Diameter	63,5 mm
Outer Diameter	95,25 mm
Width	44,7 mm
d	63,5 mm
Fw	76,2 mm
D	95,25 mm
B	44,7 mm
C	44,45 mm
da min.	71 mm
da max	73 mm
Da max.	87 mm
ra max.	2 mm
S	1 mm
Weight	1,13 Kg
Basic dynamic load rating (C)	122 kN
Basic static load rating (C0)	255 kN

BRI 406028 Bearing 2D drawings and 3D CAD models