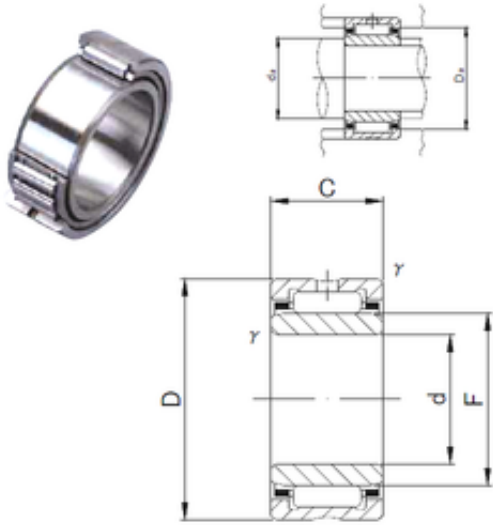




NTN Bearing Manufacturing



90 mm x 120 mm x 26 mm JNS NKI 90/26
needle roller bearings

Bearing No. NKI 90/26

Size	90x120x26 mm
Bore Diameter	90 mm
Outer Diameter	120 mm
Width	26 mm
d	90 mm
F	100 mm
D	120 mm
B	26 mm
C	26 mm
r min.	1 mm
da min.	95 mm
da max	98 mm
Da max.	135 mm
Weight	0,82 Kg
Basic dynamic load rating (C)	82,5 kN
Basic static load rating (C0)	168,7 kN

NKI 90/26 Bearing 2D drawings and 3D CAD models