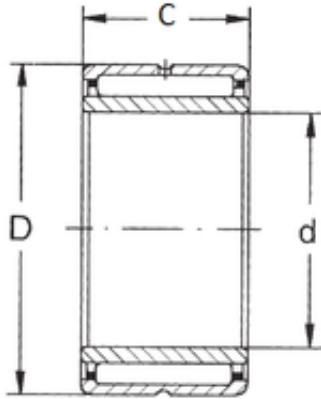




## NTN Bearing Manufacturing



20 mm x 32 mm x 20 mm FBJ NKI 20/20 needle roller bearings

Bearing No. NKI 20/20

Size	20x32x20 mm
Bore Diameter	20 mm
Outer Diameter	32 mm
Width	20 mm
d	20 mm
D	32 mm
B	20 mm
C	20 mm
Weight	0,061 Kg
Basic dynamic load rating (C)	19,5 kN
Basic static load rating (C0)	30,5 kN
(Grease) Lubrication Speed	11000 r/min

NKI 20/20 Bearing 2D drawings and 3D CAD models