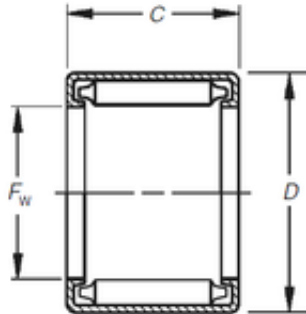




NTN Bearing Manufacturing

Timken B-328 needle roller bearings



Bearing No. B-328

Size	50.8x60.325x12.7 mm
Bore Diameter	50,8 mm
Outer Diameter	60,325 mm
Width	12,7 mm
Fw	50,8 mm
D	60,325 mm
C	12,7 mm
Weight	0,062 Kg
Basic dynamic load rating (C)	25,4 kN
Basic static load rating (C0)	48 kN
(Grease) Lubrication Speed	2100 r/min

B-328 Bearing 2D drawings and 3D CAD models