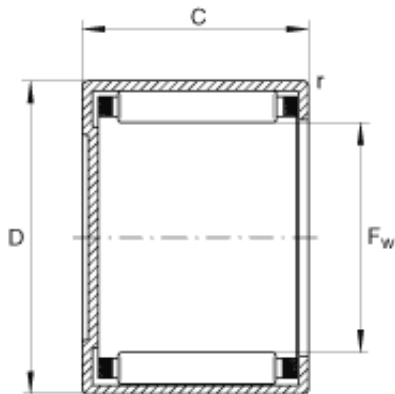




NTN Bearing Manufacturing

INA BCH57 needle roller bearings



Bearing No. BCH57

BCH57 Bearing 2D drawings and 3D CAD models

Size	7.938x14.288x11.112 mm
Bore Diameter	7,938 mm
Outer Diameter	14,288 mm
Width	11,112 mm
F_w	5/16 inch
F_w	7,938 mm
D	0,563 inch
D	14,288 mm
C	0,437 inch
C	11,112 mm
m	0,015 lbs / Weight
m	7 g / Weight
C_r	1070 lbf / Dynamic load rating (radial)
C_r	4750 N / Dynamic load rating (radial)
C_{Or}	930 lbf / Static load rating (radial)
C_{Or}	4150 N / Static load rating (radial)
n_G	27500 1/min / Limiting speed
Category	Bearings
Inventory	0.0
Manufacturer Name	SCHAEFFLER GROUP
Minimum Buy Quantity	N/A
Weight / Kilogram	0.008



NTN Bearing Manufacturing

Product Group	B04144
---------------	--------