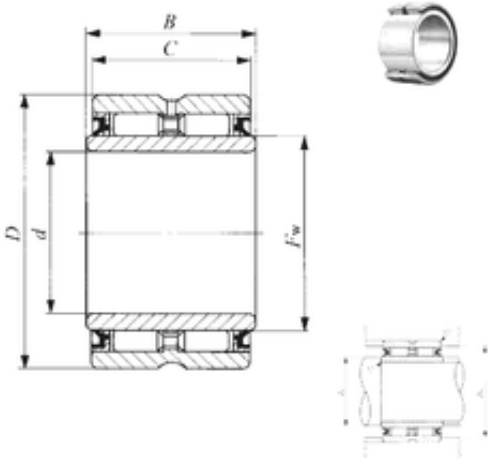




# NTN Bearing Manufacturing

41,275 mm x 65,088 mm x 32 mm IKO GBRI  
264120 UU needle roller bearings

Bearing No. GBRI 264120 UU



GBRI 264120 UU Bearing 2D drawings and 3D CAD models

Size	41.275x65.088x32 mm
Bore Diameter	41,275 mm
Outer Diameter	65,088 mm
Width	32 mm
d	41,275 mm
Fw	50,8 mm
D	65,088 mm
B	32 mm
C	31,75 mm
da min.	48 mm
da max	49 mm
Da max.	59,2 mm
ra max.	1 mm
Weight	425 Kg
Basic dynamic load rating (C)	63 100 kN
Basic static load rating (C0)	130 000 kN