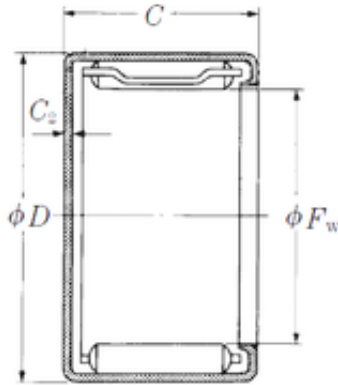




NTN Bearing Manufacturing

NSK MFJ-810 needle roller bearings



Bearing No. MFJ-810

Size	8x12x10 mm
Bore Diameter	8 mm
Outer Diameter	12 mm
Width	10 mm
Fw	8 mm
D	12 mm
C	10 mm
C1	0,8 mm
C2	0,8 mm
Weight	0,0032 Kg
Basic dynamic load rating (C)	2,84 kN
(Grease) Lubrication Speed	26000 r/min
NB-DI	0
NA-DEX	0
hidYobi	MFJ-810
LangID	1
D_	12
NC-SLR	0
B_	10
hidTable	ecat_NSDCNR
GRS rpm	26000
NC-SLR1	0
C0	2.779
Prod_Type3	NRB_DC_FJ-MFJ_WC_CT
d	8

MFJ-810 Bearing 2D drawings and 3D CAD models



NTN Bearing Manufacturing

NC-RAC	0
Pmax	1270
N-SDM	0
yobi	MFJ-810
C1_C2	0.8
ND-Z	0
OIL rpm	43000
NC-DA	0
mass_i	3.2
NC-KMS	0