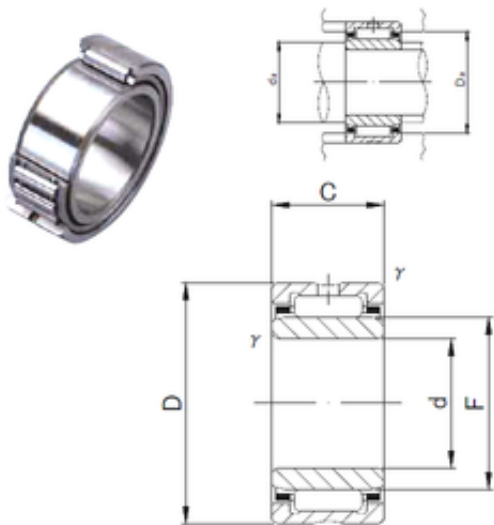




# NTN Bearing Manufacturing



17 mm x 30 mm x 13 mm JNS NA 4903 needle roller bearings

Bearing No. NA 4903

Size	17x30x13 mm
Bore Diameter	17 mm
Outer Diameter	30 mm
Width	13 mm
d	17 mm
F	22 mm
D	30 mm
B	13 mm
C	13 mm
r min.	0,3 mm
da min.	19 mm
da max	21 mm
Da max.	28 mm
Weight	0,039 Kg
Basic dynamic load rating (C)	11,8 kN
Basic static load rating (C0)	15,6 kN

NA 4903 Bearing 2D drawings and 3D CAD models