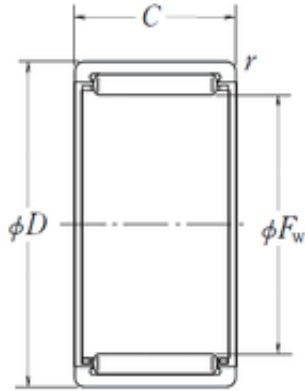




NTN Bearing Manufacturing

NSK RLM101715 needle roller bearings



Bearing No. RLM101715

Size	10x17x15 mm
Bore Diameter	10 mm
Outer Diameter	17 mm
Width	15 mm
Fw	10 mm
D	17 mm
C	15 mm
r min.	0,3 mm
Weight	0,012 Kg
Basic dynamic load rating (C)	8,05 kN
Basic static load rating (C0)	7,8 kN
(Grease) Lubrication Speed	22000 r/min
hidYobi	RLM101715
LangID	1
D_	17
B_	15
hidTable	ecat_NSMRNR
GRS rpm	22000
ra	0.3
C0	7.8
C1_	15
DE_	15
SLR	10.8
Prod_Type3	NRB_S_RLM
d	10
DA_	2.5

RLM101715 Bearing 2D drawings and 3D CAD models



NTN Bearing Manufacturing

Z_	9
SI	0
yobi	RLM101715
da_max	15
OIL rpm	36000
SDM_	12.5
r	0.3
KBRG	8312
mass1	0.012