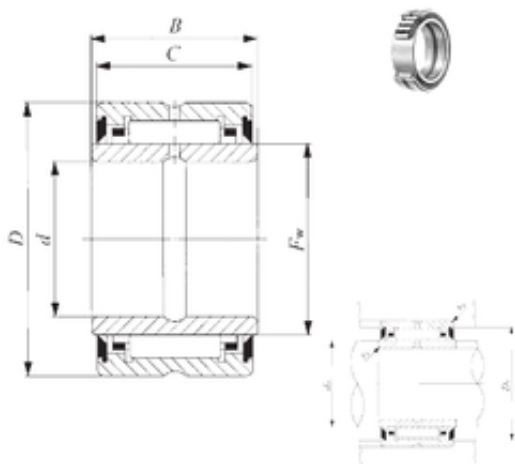




NTN Bearing Manufacturing

50,8 mm x 82,55 mm x 44,7 mm IKO BRI
325228 UU needle roller bearings



Bearing No. BRI 325228 UU

Size	50.8x82.55x44.7 mm
Bore Diameter	50,8 mm
Outer Diameter	82,55 mm
Width	44,7 mm
d	50,8 mm
Fw	63,5 mm
D	82,55 mm
B	44,7 mm
C	44,45 mm
da min.	58 mm
da max	61 mm
Da max.	74,3 mm
ra max.	1,5 mm
Weight	0,889 Kg
Basic dynamic load rating (C)	94,6 kN
Basic static load rating (C0)	174 kN

BRI 325228 UU Bearing 2D drawings and 3D CAD models