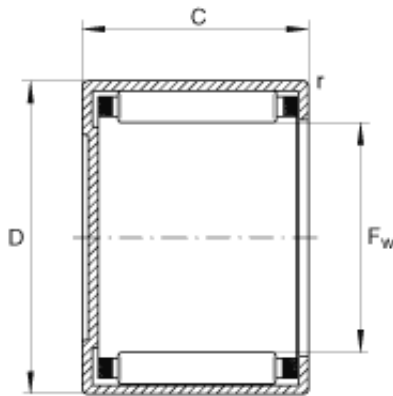




NTN Bearing Manufacturing



INA BCE1110 needle roller bearings

Bearing No. BCE1110

BCE1110 Bearing 2D drawings and 3D CAD models

Size	17.462x22.225x15.875 mm
Bore Diameter	17,462 mm
Outer Diameter	22,225 mm
Width	15,875 mm
F_w	11/16 inch
F_w	17,462 mm
D	0,875 inch
D	22,225 mm
C	0,625 inch
C	15,875 mm
m	0,028 lbs / Weight
m	13 g / Weight
C_r	2460 lbf / Dynamic load rating (radial)
C_r	10900 N / Dynamic load rating (radial)
C_{Or}	4050 lbf / Static load rating (radial)
C_{Or}	18000 N / Static load rating (radial)
n_G	14600 1/min / Limiting speed
n_B	10000 1/min / Reference speed
Category	Bearings
Inventory	0.0
Manufacturer Name	SCHAEFFLER GROUP
Minimum Buy Quantity	N/A



NTN Bearing Manufacturing

Weight / Kilogram	0.021
Product Group	B04144