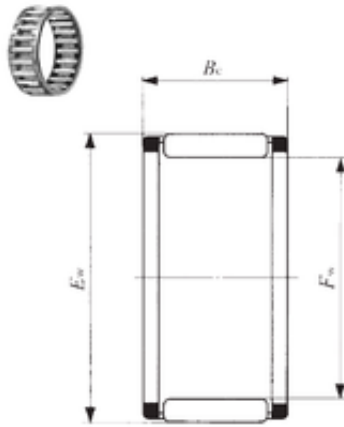




# NTN Bearing Manufacturing



## IKO KT 182210 needle roller bearings

Bearing No. KT 182210

Bore Diameter	18 mm
Outer Diameter	22 mm
Fw	18 mm
Ew	22 mm
Bc	10 mm
Weight	0,0058 Kg
Basic dynamic load rating (C)	7,5 kN
Basic static load rating (C0)	9,56 kN
Category	Needle Non Thrust Roller Bearings
Inventory	0.0
Manufacturer Name	IKO
Minimum Buy Quantity	N/A
Weight / Kilogram	0.01
EAN	4549557034305
Product Group	B04144
Rolling Element	Needle Roller Bearing
Component	Roller Assembly Only
Enclosure	Not Applicable
Self Aligning	No
Retainer	Yes
Number of Rows of Rollers	Single Row
Separable	No
Closed End	Not Applicable
Inch - Metric	Metric
Thrust Bearing	No

KT 182210 Bearing 2D drawings and 3D CAD models



## NTN Bearing Manufacturing

Long Description	18MM Bore; 22MM Outside Diameter; 10MM Width; Needle Roller Bearing; Roller Assembly Only; Not Self Aligning; Retainer; Single Row of Rollers; Not Separable
Other Features	C3 Clearance
Category	Needle Non Thrust Roller Bearing
UNSPSC	31171512
Harmonized Tariff Code	8482.99.65.30
Noun	Roller Assembly
Keyword String	Bearing Needle
Manufacturer URL	<a href="http://www.ikont.com">http://www.ikont.com</a>
Manufacturer Item Number	KT182210C3
Weight / LBS	0.013
Outside Diameter	0.866 Inch   22 Millimeter
Bore	0.709 Inch   18 Millimeter
Width	0.394 Inch   10 Millimeter