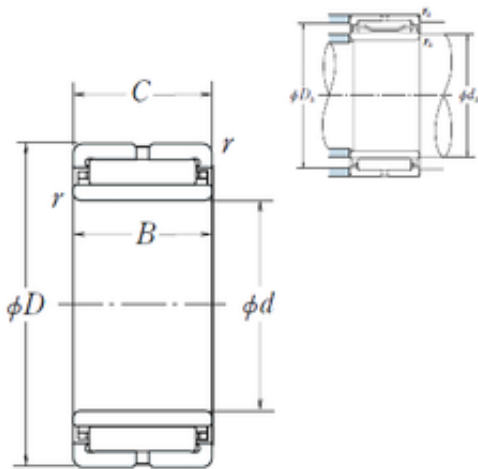




# NTN Bearing Manufacturing

17 mm x 30 mm x 13 mm NSK NA4903 needle roller bearings



Bearing No. NA4903

NA4903 Bearing 2D drawings and 3D CAD models

Size	17x30x13 mm
Bore Diameter	17 mm
Outer Diameter	30 mm
Width	13 mm
d	17 mm
Fw	22 mm
D	30 mm
B	13 mm
C	13 mm
r min.	0,3 mm
da min.	19 mm
Da max.	28 mm
ra max.	0,3 mm
Weight	0,038 Kg
Basic dynamic load rating (C)	11,6 kN
Basic static load rating (C0)	15,4 kN
(Grease) Lubrication Speed	12000 r/min
hidYobi	NA4903
LangID	1
D_	30
B_	13
hidTable	ecat_NS MRNR
GRS rpm	12000
ra	0.3
da_min	19



## NTN Bearing Manufacturing

d2	17
C0	15.4
C1_	13
DE_	27
SLR	8.8
Prod_Type3	NRB_S_NA
DA_	2.5
Z_	19
SI	22
yobi	NA4903
da_max	28
OIL rpm	20000
SDM_	24.5
r	0.3
KBRG	8353
mass2	0.038
B1	13