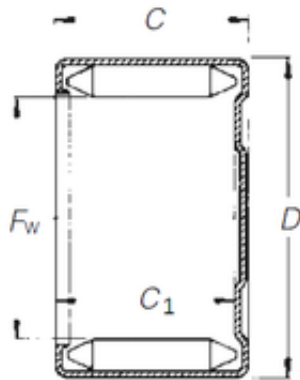




NTN Bearing Manufacturing

Timken DLF 6 10 needle roller bearings



Bearing No. DLF 6 10

Size	6x12x10 mm
Bore Diameter	6 mm
Outer Diameter	12 mm
Width	10 mm
F _w	6 mm
D	12 mm
C	10 mm
C ₁	7,7 mm
Weight	0,004 Kg
Basic dynamic load rating (C)	2,9 kN
Basic static load rating (C ₀)	3,8 kN
(Grease) Lubrication Speed	33000 r/min

DLF 6 10 Bearing 2D drawings and 3D CAD models