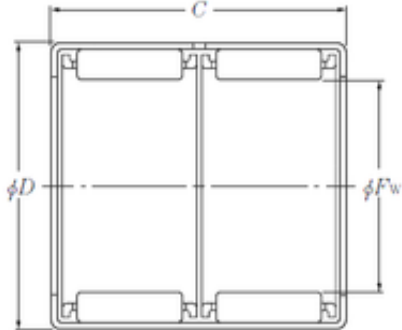




NTN Bearing Manufacturing

NTN HK2538ZWD needle roller bearings



Bearing No. HK2538ZWD

HK2538ZWD Bearing 2D drawings and 3D CAD models

Size	25x32x38 mm
Bore Diameter	25 mm
Outer Diameter	32 mm
Width	38 mm
Fw	25 mm
D	32 mm
C	38 mm
Weight	0.065 Kg
Basic dynamic load rating (C)	35 kN
Basic static load rating (C0)	65,5 kN
(Grease) Lubrication Speed	6 500 r/min
Dw	2.5 mm
Lw	15.3 mm
Lubrication hole on outer ring	Oui/Yes
k	2.5 mm
Inner ring reference	IR20X25X38.5
Mass	0.06 kg
Cr	35 kN
C0r	65.5 kN
Nlim (grease)	6,500 rpm
Nlim (oil)	9,500 rpm
Min operating temperature, Tmin	-20 ° C
Max operating temperature, Tmax	120 ° C



NTN Bearing Manufacturing

Characteristic cage frequency, FTF	0.46 Hz
Characteristic rolling element frequency, BSF	10.91 Hz
Characteristic outer ring frequency, BPF0	10 Hz
Characteristic inner ring frequency, BRFI	12 Hz
Category	Bearings
Inventory	0.0
Manufacturer Name	NTN
Minimum Buy Quantity	N/A
Weight / Kilogram	0
Product Group	B04144