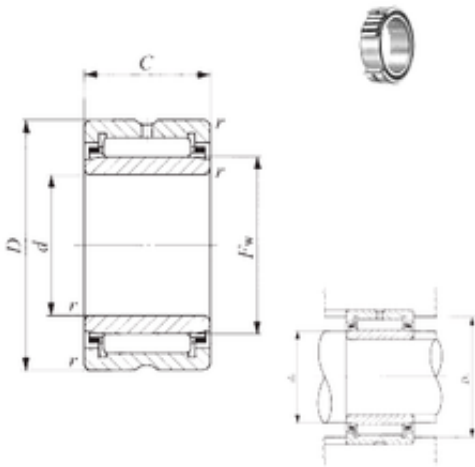




NTN Bearing Manufacturing

120 mm x 165 mm x 45 mm IKO NA 4924
needle roller bearings



Bearing No. NA 4924

Size	120x165x45 mm
Bore Diameter	120 mm
Outer Diameter	165 mm
Width	45 mm
d	120 mm
Fw	135 mm
D	165 mm
B	45 mm
C	45 mm
r min.	1,1 mm
da min.	126,5 mm
da max	133 mm
Da max.	158,5 mm
S	2 mm
Weight	2,96 Kg
Basic dynamic load rating (C)	187 kN
Basic static load rating (C0)	435 kN

NA 4924 Bearing 2D drawings and 3D CAD models