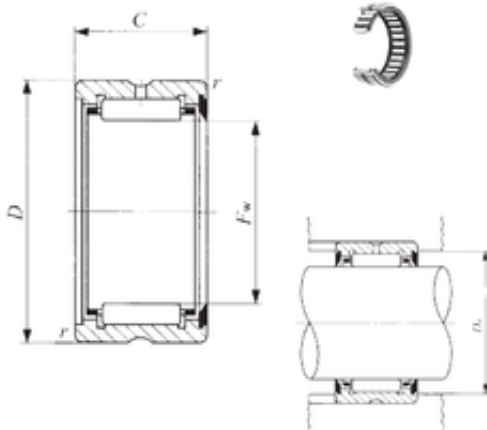




NTN Bearing Manufacturing

IKO RNA 6902U needle roller bearings



Bearing No. RNA 6902U

Size	22x30x23 mm
Bore Diameter	22 mm
Outer Diameter	30 mm
Width	23 mm
Fw	22 mm
D	30 mm
C	23 mm
r min.	0,3 mm
Da max.	28 mm
Weight	0,0375 Kg
Basic dynamic load rating (C)	19,8 kN
Basic static load rating (C0)	30,6 kN

RNA 6902U Bearing 2D drawings and 3D CAD models