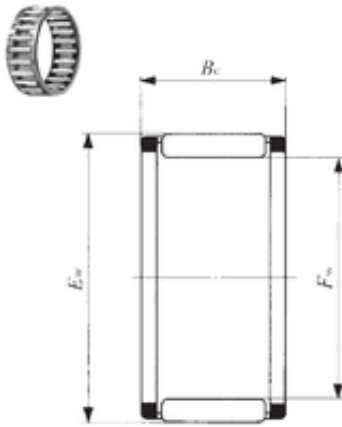




# NTN Bearing Manufacturing



KT 10138 Bearing 2D drawings and 3D CAD models

## IKO KT 10138 needle roller bearings

Bearing No. KT 10138

Bore Diameter	10 mm
Outer Diameter	13 mm
Fw	10 mm
Ew	13 mm
Bc	8 mm
Weight	0,0019 Kg
Basic dynamic load rating (C)	3,37 kN
Basic static load rating (C0)	3,47 kN
Category	Needle Non Thrust Roller Bearings
Inventory	0.0
Manufacturer Name	IKO
Minimum Buy Quantity	N/A
Weight / Kilogram	0
EAN	4549557033674
Product Group	B04144
Rolling Element	Needle Roller Bearing
Component	Roller Assembly Only
Enclosure	Not Applicable
Self Aligning	No
Retainer	Yes
Number of Rows of Rollers	Single Row
Separable	No
Closed End	Not Applicable
Inch - Metric	Metric
Thrust Bearing	No



## NTN Bearing Manufacturing

Long Description	10MM Bore; 13MM Outside Diameter; 8MM Width; Needle Roller Bearing; Roller Assembly Only; Not Self Aligning; Retainer; Single Row of Rollers; Not Separable
Other Features	C3 Clearance
Category	Needle Non Thrust Roller Bearing
UNSPSC	31171512
Harmonized Tariff Code	8482.99.65.30
Noun	Roller Assembly
Keyword String	Bearing Needle
Manufacturer URL	<a href="http://www.ikont.com">http://www.ikont.com</a>
Manufacturer Item Number	KT10138C3
Weight / LBS	0.004
Width	0.315 Inch   8 Millimeter
Bore	0.394 Inch   10 Millimeter
Outside Diameter	0.512 Inch   13 Millimeter