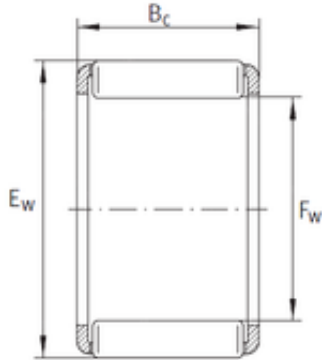




NTN Bearing Manufacturing

INA KZK 20x26x17 needle roller bearings



Bearing No. KZK 20x26x17

Bore Diameter	20 mm
Outer Diameter	26 mm
Fw	20 mm
Ew	26 mm
Bc	17 mm
Weight	15 Kg
Basic dynamic load rating (C)	15300 kN
Basic static load rating (C0)	19100 kN

KZK 20x26x17 Bearing 2D drawings and 3D CAD models