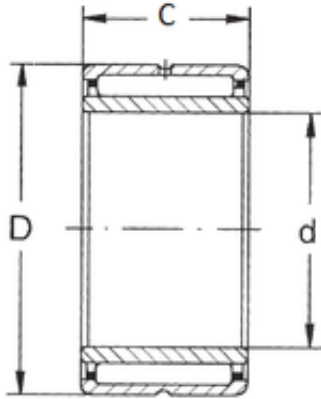




NTN Bearing Manufacturing



12 mm x 24 mm x 20 mm FBJ NKI 12/20 needle roller bearings

Bearing No. NKI 12/20

Size	12x24x20 mm
Bore Diameter	12 mm
Outer Diameter	24 mm
Width	20 mm
d	12 mm
D	24 mm
B	20 mm
C	20 mm
Weight	0,042 Kg
Basic dynamic load rating (C)	14,6 kN
Basic static load rating (C0)	18,8 kN
(Grease) Lubrication Speed	15000 r/min

NKI 12/20 Bearing 2D drawings and 3D CAD models