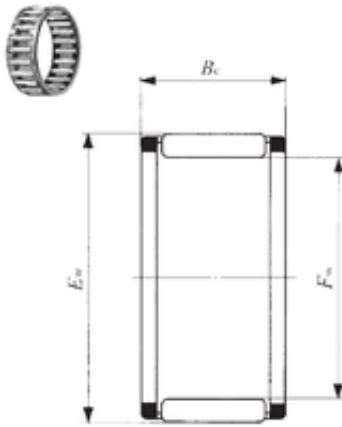




# NTN Bearing Manufacturing



KT 233015 Bearing 2D drawings and 3D CAD models

## IKO KT 233015 needle roller bearings

Bearing No. KT 233015

Bore Diameter	23 mm
Outer Diameter	30 mm
Fw	23 mm
Ew	30 mm
Bc	15 mm
Weight	0,021 Kg
Basic dynamic load rating (C)	17,3 kN
Basic static load rating (C0)	20,8 kN
Category	Needle Non Thrust Roller Bearings
Inventory	0.0
Manufacturer Name	IKO
Minimum Buy Quantity	N/A
Weight / Kilogram	0.02
EAN	4549557034695
Product Group	B04144
Rolling Element	Needle Roller Bearing
Component	Roller Assembly Only
Enclosure	Not Applicable
Self Aligning	No
Retainer	Yes
Number of Rows of Rollers	Single Row
Separable	No
Closed End	Not Applicable
Inch - Metric	Metric
Thrust Bearing	No



## NTN Bearing Manufacturing

Long Description	23MM Bore; 30MM Outside Diameter; 15MM Width; Needle Roller Bearing; Roller Assembly Only; Not Self Aligning; Retainer; Single Row of Rollers; Not Separable
Other Features	C3 Clearance
Category	Needle Non Thrust Roller Bearing
UNSPSC	31171512
Harmonized Tariff Code	8482.99.65.30
Noun	Roller Assembly
Keyword String	Bearing Needle
Manufacturer URL	<a href="http://www.ikont.com">http://www.ikont.com</a>
Manufacturer Item Number	KT233015C3
Weight / LBS	0.046
Bore	0.906 Inch   23 Millimeter
Outside Diameter	1.181 Inch   30 Millimeter
Width	0.591 Inch   15 Millimeter