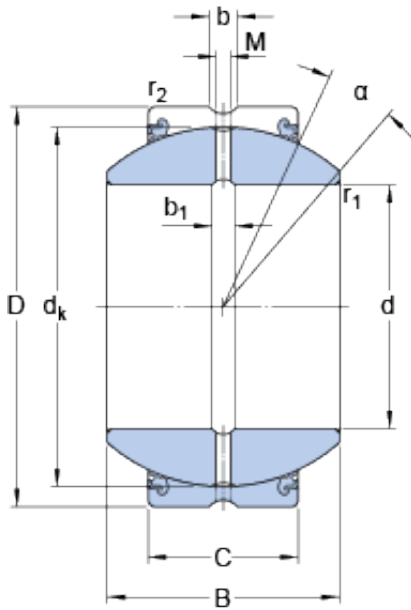




# NTN Bearing Manufacturing



GEH 50 ESX-2LS Bearing 2D drawings and 3D CAD models

## 50 mm x 90 mm x 56 mm SKF GEH 50 ESX-2LS plain bearings

Bearing No. GEH 50 ESX-2LS

Size	90x50x56 mm
Bore Diameter	90 mm
Outer Diameter	50 mm
Width	56 mm
d	50 mm
D	90 mm
B	56 mm
C	36 mm
	17 °
d <sub>k</sub>	80 mm
b	6.2 mm
b <sub>1</sub>	6.2 mm
M	4 mm
r <sub>1</sub> - min.	0.6 mm
r <sub>2</sub> - min.	1 mm
d <sub>a</sub> - min.	55.8 mm
d <sub>a</sub> - max.	57.1 mm
D <sub>a</sub> - min.	79.7 mm
D <sub>a</sub> - max.	84.2 mm
r <sub>a</sub> - max.	0.6 mm
r <sub>b</sub> - max.	1 mm
Basic dynamic load rating - C	365 kN
Basic static load rating - C <sub>0</sub>	1220 kN
Specific factor dynamic load - K	150 N/mm <sup>2</sup>



## NTN Bearing Manufacturing

Specific factor static load - $K_0$	500 N/mm <sup>2</sup>
Constant - $K_M$	330
Lubricant	Maintenance free – greased for life
Design (sliding contact surface combination)	Steel/steel
Sealing solution	Triple-lip seals
	17 °
$d_k$	80 mm
$b_1$	6.2 mm
$r_1$ min.	0.6 mm
$r_2$ min.	1 mm
$d_a$ min.	55.8 mm
$d_a$ max.	57.1 mm
$D_a$ min.	79.7 mm
$D_a$ max.	84.2 mm
$r_a$ max.	0.6 mm
$r_b$ max.	1 mm
Basic dynamic load rating C	365 kN
Basic static load rating $C_0$	1220 kN
Specific dynamic load factor K	150 N/mm <sup>2</sup>
Specific static load factor $K_0$	500 N/mm <sup>2</sup>
Material constant $K_M$	330
Mass plain bearing	1.6 kg