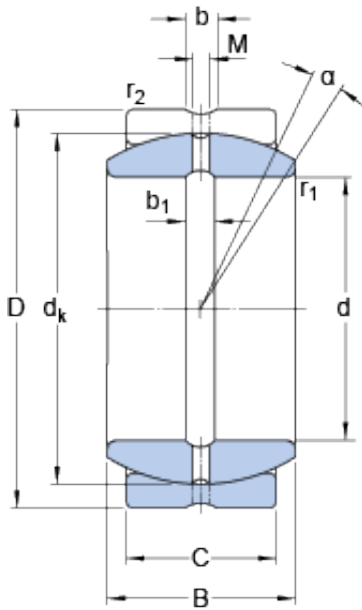




NTN Bearing Manufacturing



GE 80 ES Bearing 2D drawings and 3D CAD models

80 mm x 120 mm x 55 mm SKF GE 80 ES plain bearings

Bearing No. GE 80 ES

Size	120x80x55 mm
Bore Diameter	120 mm
Outer Diameter	80 mm
Width	55 mm
d	80 mm
D	120 mm
B	55 mm
C	45 mm
	6 °
d _k	105 mm
b	7.7 mm
b ₁	7.7 mm
M	4 mm
r ₁ - min.	1 mm
r ₂ - min.	1 mm
d _a - min.	87.1 mm
d _a - max.	89.4 mm
D _a - min.	99.7 mm
D _a - max.	113.8 mm
r _a - max.	1 mm
r _b - max.	1 mm
Basic dynamic load rating - C	400 kN
Basic static load rating - C ₀	2000 kN
Specific factor dynamic load - K	100 N/mm ²



NTN Bearing Manufacturing

Specific factor static load - K_0	500 N/mm ²
Constant - K_M	330
Category	Spherical Plain Bearings - Radial
Inventory	0.0
Manufacturer Name	SKF
Minimum Buy Quantity	N/A
Weight / Kilogram	2.3
EAN	7316576609466
Product Group	B04264
Self Aligning	Yes
Rolling Element	Spherical Plain
Material - Outer Member	Steel
Material - Ball	Steel
Material - Liner	Not Applicable
Relubricatable	Yes
Enclosure	Open
Other Features	2 Piece Lubrication Hole and an Annular Groove in Both Rings
Long Description	80MM Bore; 45MM Housing Width; 120MM Outside Diameter; Spherical Plain; Steel Outer Member; Steel Ball; No Liner; 55MM Overall Width; Relubricatable
Inch - Metric	Metric
Category	Plain Bearings Spherical Radial
UNSPSC	31171515
Harmonized Tariff Code	8483.30.80.70
Noun	Bearing
Keyword 3	Spherical



NTN Bearing Manufacturing

Keyword String	Plain Spherical Radial
Manufacturer URL	http://www.skf.com
Manufacturer Item Number	GE 80 ES
Weight / LBS	5.071
Housing Width	1.772 Inch 45 Millimeter
Overall Width	2.165 Inch 55 Millimeter
Bore	3.15 Inch 80 Millimeter
Outside Diameter	4.724 Inch 120 Millimeter
bore diameter:	80 mm
inner ring material:	Chrome Steel
outside diameter:	120 mm
outer ring width:	45 mm
misalignment angle:	6 °
grade:	Commercial/Industrial
inner ring width:	55 mm
overall width:	55 mm
bearing type:	Radial
radial static load capacity:	2000 kN
lubrication type:	Requires Lubrication
radial dynamic load capacity:	400 kN
closure type:	Open
operating temperature range:	-50 to +200 ° C ° F
outer ring material:	Chrome Steel
manufacturer upc number:	7316576609466
Lubricant	Regular relubrication – grease
Design (sliding contact surface combination)	Steel/steel
Sealing solution	-
	6 °
d _k	105 mm



NTN Bearing Manufacturing

b_1	7.7 mm
r_1 min.	1 mm
r_2 min.	1 mm
d_a min.	87.1 mm
d_a max.	89.4 mm
D_a min.	99.7 mm
D_a max.	113.8 mm
r_a max.	1 mm
r_b max.	1 mm
Basic dynamic load rating C	400 kN
Basic static load rating C_0	2000 kN
Specific dynamic load factor K	100 N/mm ²
Specific static load factor K_0	500 N/mm ²
Material constant K_M	330
Mass plain bearing	2.3 kg