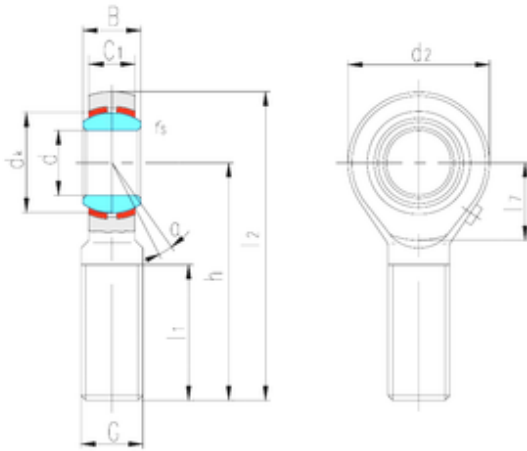




NTN Bearing Manufacturing



LS SABP5S plain bearings

Bearing No. SABP5S

Bore Diameter	5 mm
d	5 mm
B	8 mm
d2	16 mm
dk	11,112 mm
h	33 mm
l1 min.	20 mm
l2 max.	41 mm
l7 min.	— mm
r min.	0,3 mm
C1	6 mm
Thread (G)	M5
Angle	13 °
Weight	0,016 Kg
Basic dynamic load rating (C)	3,3 kN

SABP5S Bearing 2D drawings and 3D CAD models