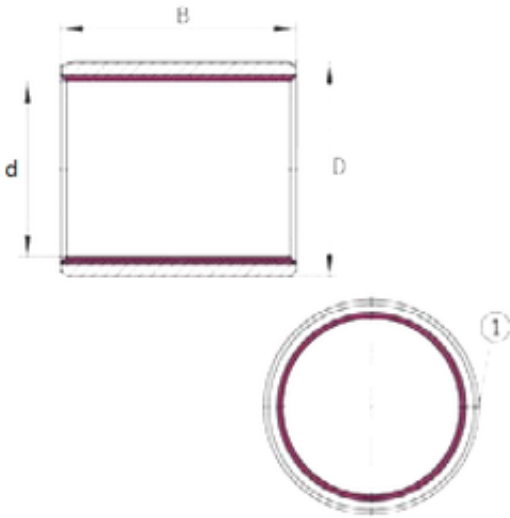




# NTN Bearing Manufacturing



40 mm x 44 mm x 50 mm INA EGB4050-E40-B plain bearings

Bearing No. EGB4050-E40-B

EGB4050-E40-B Bearing 2D drawings and 3D CAD models

Size	40x44x50 mm
Bore Diameter	40 mm
Outer Diameter	44 mm
Width	50 mm
d	40 mm
D	44 mm
B	50 mm
Category	Sleeve Bearings
Inventory	0.0
Manufacturer Name	SCHAEFFLER GROUP
Minimum Buy Quantity	N/A
Weight / Kilogram	0.142
EAN	4012802755619
Product Group	B04264
Profile	Bushing No Flange Split
Material Description	Bronze Backing, Bronze Innerstructure, PTFE-lead Overlay
Material	Permaglide P11
Inch - Metric	Metric
Long Description	40MM Nominal Bore; 44MM Nominal Outside Diameter; 50MM Length Thru Bore; Bushing No Flange Split Profile; Bronze Backing, Bronze Innerstructure, PTFE-lead Overlay; Permaglide P11



## NTN Bearing Manufacturing

	Material
Category	Sleeve Bearings
UNSPSC	31171515
Harmonized Tariff Code	84833080
Noun	Bearing
Keyword String	Plain
Manufacturer URL	<a href="http://www.ina.com">http://www.ina.com</a>
Manufacturer Item Number	PAP4050P11
Weight / LBS	0.313
Length Thru Bore	1.969 Inch   50 Millimeter
Nominal Outside Diameter	1.732 Inch   44 Millimeter
Nominal Bore	1.575 Inch   40 Millimeter