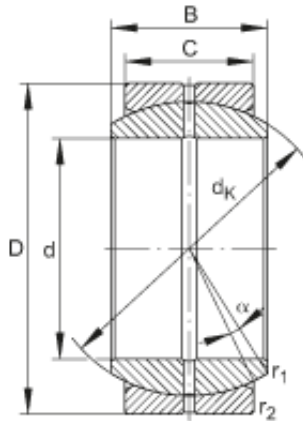




NTN Bearing Manufacturing



INA GE90-DO plain bearings

Bearing No. GE90-DO

Size	90x130x60 mm
Bore Diameter	90 mm
Outer Diameter	130 mm
Width	60 mm
C	50 mm
$D_{a \min}$	108 mm
$d_{a \max}$	98,1 mm
d_k	115 mm
$r_{1s \min}$	1 mm
$r_{2s \min}$	1 mm
alf (°)	5
Weight (kg)	2,7
C_r (N)	489000
C_{0r} (N)	2440000
Category	Spherical Plain Bearings - Radial
Inventory	0.0
Manufacturer Name	SCHAEFFLER GROUP
Minimum Buy Quantity	N/A
Weight / Kilogram	3.281
EAN	4012802530933
Product Group	B04264
Self Aligning	Yes
Rolling Element	Spherical Plain
Material - Outer Member	Steel
Material - Ball	Steel

GE90-DO Bearing 2D drawings and 3D CAD models



NTN Bearing Manufacturing

Material - Liner	Not Applicable
Relubricatable	Yes
Enclosure	Open
Other Features	2 Piece Single Axial Split in Outer Ring
Long Description	90MM Bore; 50MM Housing Width; 130MM Outside Diameter; Spherical Plain; Steel Outer Member; Steel Ball; No Liner; 60MM Overall Width; Relubricatable
Inch - Metric	Metric
Category	Plain Bearings Spherical Radial
UNSPSC	31171515
Harmonized Tariff Code	8483.30.80.70
Noun	Bearing
Keyword 3	Spherical
Keyword String	Plain Spherical Radial
Manufacturer URL	http://www.ina.com
Manufacturer Item Number	GE90DO
Weight / LBS	5.95
Outside Diameter	5.118 Inch 130 Millimeter
Overall Width	2.362 Inch 60 Millimeter
Housing Width	1.969 Inch 50 Millimeter
Bore	3.543 Inch 90 Millimeter