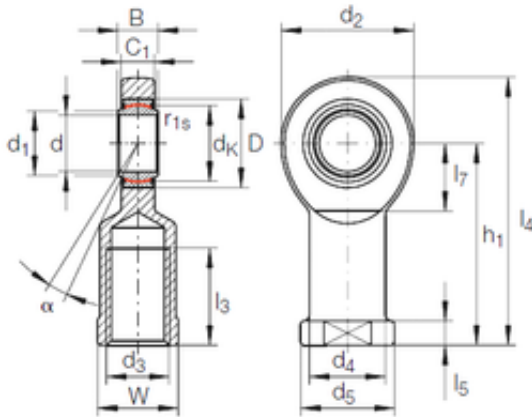




NTN Bearing Manufacturing

50 mm x 75 mm x 35 mm INA GIR 50 UK-2RS plain bearings



GIR 50 UK-2RS Bearing 2D drawings and 3D CAD models

Bearing No. GIR 50 UK-2RS

Size	50x75x35 mm
Bore Diameter	50 mm
Outer Diameter	75 mm
Width	35 mm
d	50 mm
D	75 mm
B	35 mm
d1	55,9 mm
d2	112 mm
d4	62 mm
dk	66 mm
h1	160 mm
l3 min.	68 mm
l4 max.	216 mm
l5	20 mm
l7 min.	60 mm
r1 min.	0,6 mm
C1	30 mm
W	65 mm
Thread (G)	M45X32)
Angle	6 °
d5	75 r/min
Weight	3,5 Kg
Basic dynamic load rating (C)	442 kN