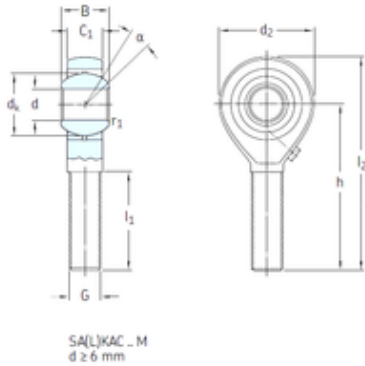




NTN Bearing Manufacturing

SKF SALKAC20M plain bearings



Bearing No. SALKAC20M

Bore Diameter	20 mm
d	20 mm
d2 max.	51 mm
dk	34,9 mm
h	78 mm
l1 min.	45 mm
l2 max.	106 mm
r1 min.	0,3 mm
B	25 mm
C1	18 mm
Thread (G)	M20x1,5 Tolerance 6g
Angle	16 °
Weight	0,34 Kg
Basic dynamic load rating (C)	29 kN

SALKAC20M Bearing 2D drawings and 3D CAD models