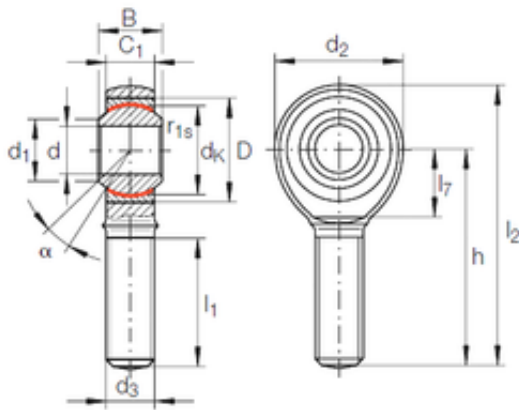




# NTN Bearing Manufacturing

## 16 mm x 32 mm x 21 mm INA GAKR 16 PW plain bearings



Bearing No. GAKR 16 PW

Size	16x32x21 mm
Bore Diameter	16 mm
Outer Diameter	32 mm
Width	21 mm
d	16 mm
D	32 mm
B	21 mm
d1	19,3 mm
d2	42 mm
dk	28,575 mm
h	66 mm
l1 min.	37 mm
l2 max.	87 mm
l7 min.	23 mm
r1 min.	0,3 mm
C1	15 mm
Thread (G)	M16
Angle	15 °
Weight	0,21 Kg
Basic dynamic load rating (C)	39 kN

GAKR 16 PW Bearing 2D drawings and 3D CAD models